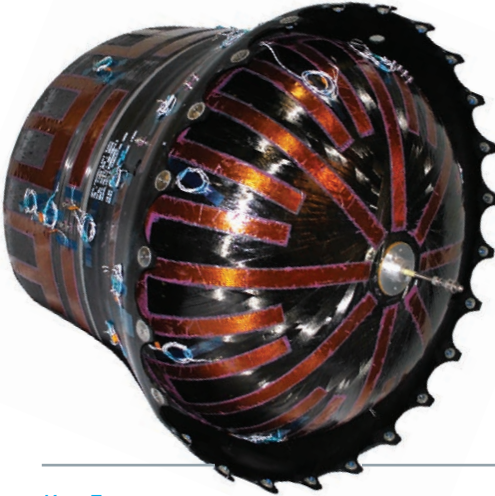


High-Performance Hydrazine Tank

COBHAM

The most important thing we build is trust



Cobham has designed, developed and qualified the **world's first** demisable composite propellant tank that disintegrates upon re-entry into the atmosphere per new NASA requirements. This high performance aluminum-lined, carbon composite pressure vessel is qualified to launch with 1,202 lbs of Hydrazine at 400 psig and designed to hold up to 1,600 lbs.

The lightweight hand layed-up, autoclave cured skirt integrates the propellant tank with the rest of the spacecraft structure.

The composite skirt is attached to the tank via an adhesive bond.

Cobham, with its flight heritage in pressurant tanks for cold gas propulsion, fuel expulsion, and thrust vector control, also designs pressure vessels that store Xenon propellant.

With over 80 qualified vessel designs, Cobham's composite pressure vessels can be easily integrated into existing and new systems where high performance gas storage is essential.

Key Features

- Aluminum-Lined, Carbon Composite Pressure Vessel
- Aluminum Surface Tension Propellant Management Device
- Integral Carbon Composite Skirt
- Designed and Qualified to AIAA S-081A
- Spacecraft Interface using Stainless Inserts/Nutplates
- 304L CRES Stub Tube for Gas Interface

Specifications

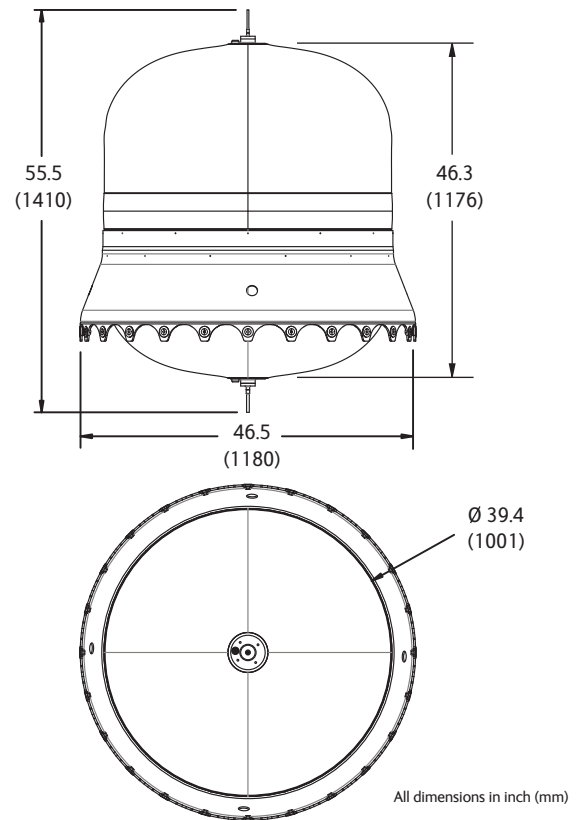
Medium	Hydrazine	
Fill Pressure	400 psi	(27.5 bar)
Water Volume	47,111 ci	(772 L)
Dimensions	Diameter 46.5" at spacecraft interface	(1180 mm)
	Length 46.3"	(1176 mm)
Weight	99.5 lbs max	(45.1 kg)

Operating Environment

Temperature	36 to 122 deg F	(2 to 50 deg C)
-------------	-----------------	-----------------

Product Interfaces

Port Types	0.250" dia x 0.028" wall x 3.625" long 304L Inlet Stub Tube	
	0.375" dia x 0.028" wall x 3.625" long 304L Outlet Stub Tube	
	(6.3 mm dia x 0.71 mm wall x 92.1 mm Long 316L Stub Tube)	
	(9.5 mm dia x 0.71 mm wall x 92.1 mm Long 316L Stub Tube)	



For further information please contact:

Cobham Life Support
711 Corporate Center Court
Westminster, MD 21157 USA

Tel: +1 (410) 871 9966 x 121
Fax: +1 (410) 871 9960
robert.grande@cobham.com